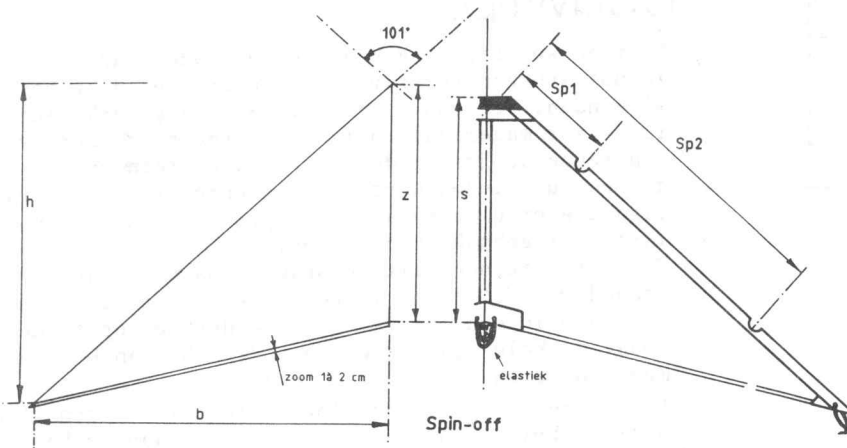
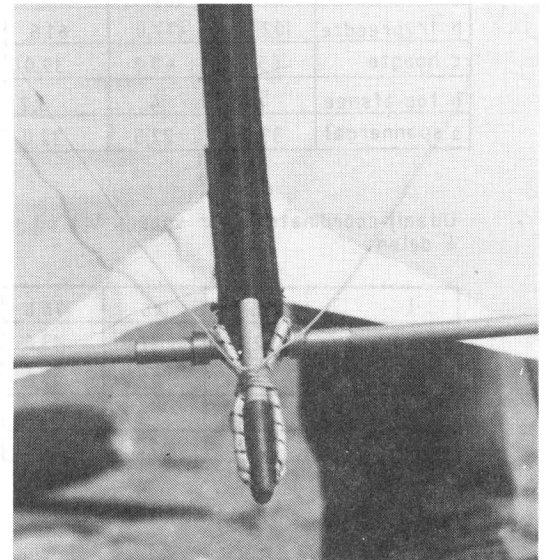
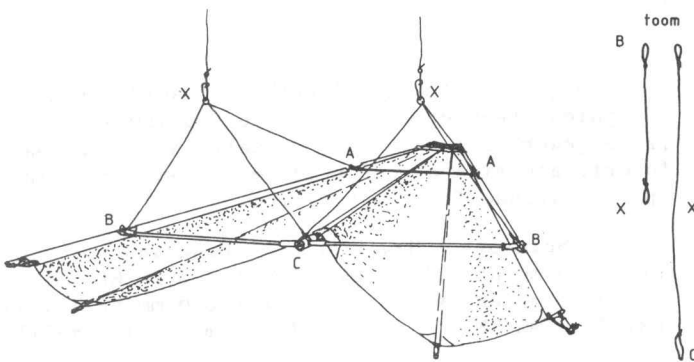


| Hawaiian | groot | midden | klein |
|--------------|--------|--------|-------|
| a | 60 | 48 | 39 |
| b | 72,5 | 58 | 47 |
| c | 31 | 25 | 20 |
| h | 100 | 80 | 65 |
| s | 76 | 60 | 49,5 |
| z | 80 | 64 | 52 |
| Sp 1 | 38 | 30,5 | 24,5 |
| Sp 2 | 115 | 92 | 75 |
| topspanner | 57 | 45,5 | 37 |
| onderspanner | 82 | 65,5 | 53 |
| vleugelstok | 100+67 | 134 | 108 |
| foom | | | |
| A-X-C | 130 | 104 | 85 |
| B-X | 70,5 | 56,4 | 46 |



| Spin-off | groot | midden | klein |
|---|--------|--------|-------|
| h | 105 | 89 | 66 |
| b | 127 | 108 | 79 |
| z | 79 | 67,5 | 47,5 |
| s | 74 | 65 | 45 |
| Sp 1 | 35 | 30 | 22 |
| Sp 2 | 112 | 95 | 70 |
| topspanner slaander en onderspanner | 55 | 47 | 35 |
| vleugelstok | 100+67 | 142 | 100 |
| foom A-C | 130 | 110 | 78 |
| foom B-X | 70,5 | 60 | 42,5 |
| spanelastiek | ∅ 4mm | ∅ 3mm | ∅ 2mm |

